

CSL-6000(LCD Reader) Specifications



SM CLEVER

2D Barcode CSL-6000 (LCD Reader)

CSL-6000 LCD Reader can read and decode 1D/2D symbols displayed on the LCD (Liquid Crystal Display) of cellphone and printed on paper. Various types including handheld reader and fixture one are available for Customer's requirements.

Features / Benefits

- ◆ LCD and paper readability.
- ◆ Command-leveled setup and system control for the interface with application programs.
- ◆ Fast decoding of 1D/2D symbols.
- ◆ Easy firmware upgrade.
- ◆ Competitive price.
- ◆ **World-wide largest LCD Window size.** [65mm(W)*45mm(H)]
- ◆ **Real-time Image Uploading.** (within JPEG Engine)
- ◆ Support to various hardware types for OEM/ODM customer's requirements.
- ◆ RS232C, USB (USB to Serial), HID Keyboard interface

Application Areas

- ◆ Mobile applications & systems
- ◆ Kiosks
- ◆ Ticketing applications (i.e., airline & train ticketing)



Specifications

Performance Characteristics

Image Sensor	CMOS Sensor, Max. 640*480, 8-bit grayscale
Target Distance	0~12.5cm : Depends on code size.
Viewing Angle	Horizontal 50°, Vertical 35.8°
Lighting	White LED lighting
Directions	360 ° omni-directional

Symbologies

1 Dimensional	Code39, Code93, Code128, UPC/JAN/EAN, Codabar, Interleaved 2 of 5, STF, RSS14, RSS Limited, RSS14 Truncated
2 Dimensional	QR Code (including Chinese QR), PDF-417, Data Matrix

Mechanical & Electrical

Dimension	92mm * 85mm * 127mm
Window Size	65.2mm * 45.2mm
Weight	410 g (USB Version), 570(RS232C Version) with Inner Box
Power Consumption	+4.75 to 5.25V, Typical 180mA, Peak 220mA
Ambient Lighting	Total darkness to full sunlight

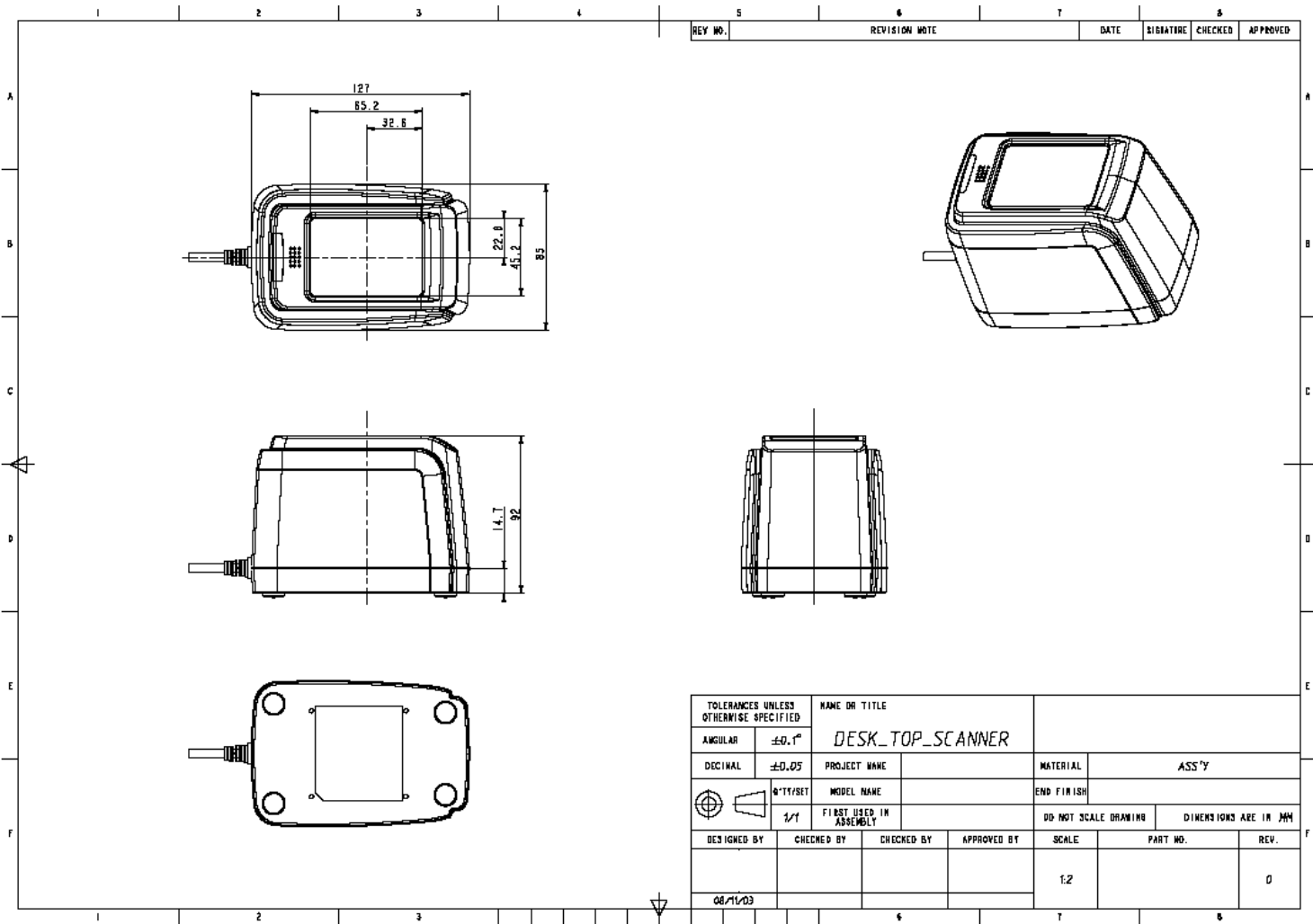
Interface

Host Interface	RS232c, USB (serial to USB bridge), Optional LAN & HID Interface
----------------	--

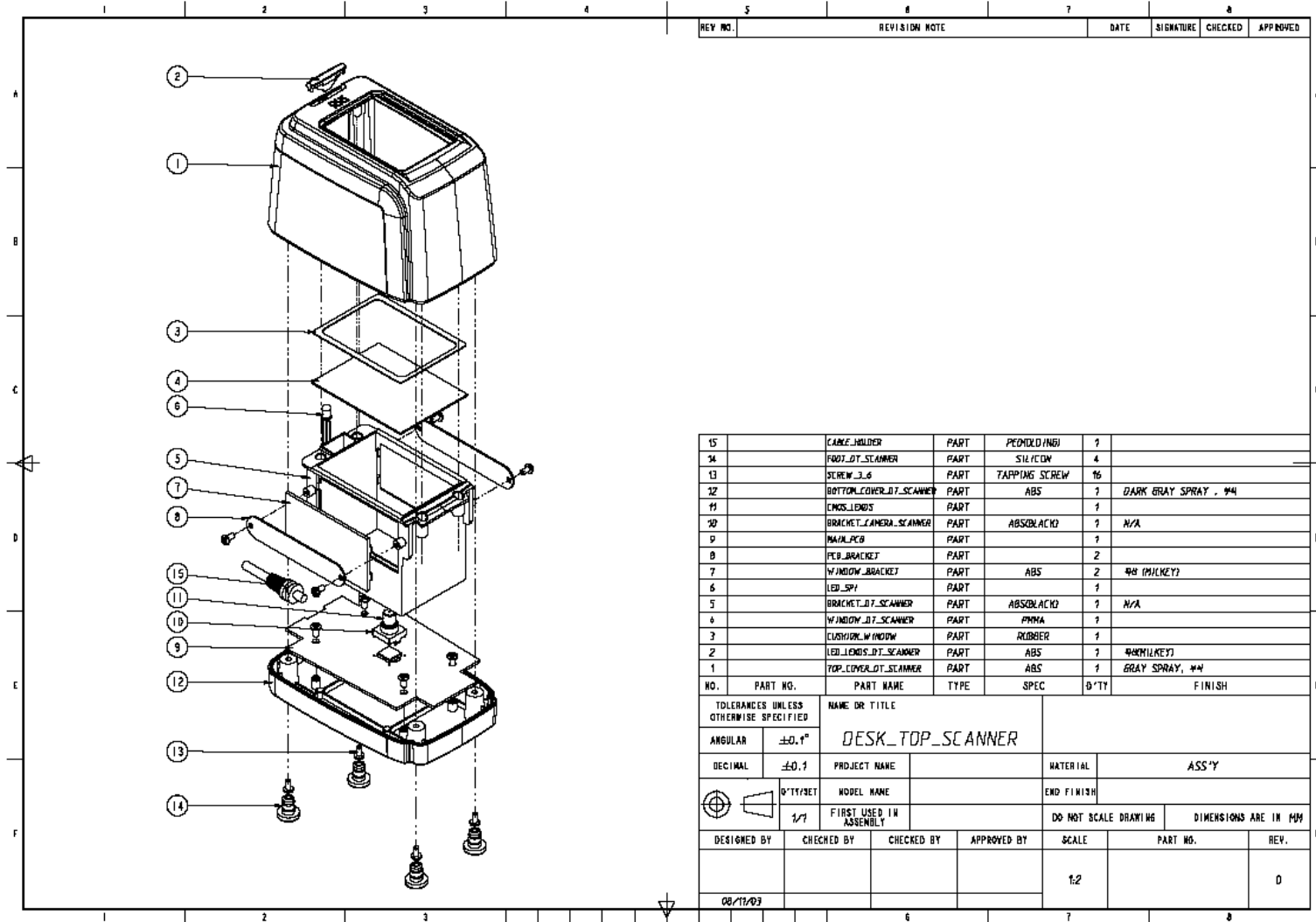
Environments & Regulatory

Operating Temperature	-10°C to +50°C (-14°F to 122°F)
Operating Storage	-20°C to +60°C (-4°F to 140°F)
Shock	Multiple 4ft/1.2M drop to concrete
Humidity	0 to 95%

Outline Drawing



3D Drawing



REV. NO.	REVISION NOTE	DATE	SIGNATURE	CHECKED	APPROVED	
15	CAMER_HOLDER	PART	PEHTLD/INB	?		
14	FRONT_SCANNER	PART	SIL/PCW	4		
13	SCREW_3.6	PART	TAPPING SCREW	16		
12	BOTTOM_COVER_DT_SCANNER	PART	ABS	?	DARK GRAY SPRAY . #4	
11	EMOS_LENDS	PART		1		
10	BRACKET_CAMERA_SCANNER	PART	ABSOLACIO	?	N/A	
9	MAIN_PCB	PART		?		
8	FEW_BRACKET	PART		2		
7	WINDOW_BRACKET	PART	ABS	2	#8 (PHILKEY?)	
6	LED_SP1	PART		?		
5	BRACKET_DT_SCANNER	PART	ABSOLACIO	?	N/A	
4	WINDOW_DT_SCANNER	PART	PMMA	?		
3	CUSHION_WINDOW	PART	RUBBER	?		
2	LED_LENDS_DT_SCANNER	PART	ABS	?	#2EMILKEY?	
1	TOP_COVER_DT_SCANNER	PART	ABS	?	GRAY SPRAY, #4	
NO.	PART NO.	PART NAME	TYPE	SPEC	D'TY	FINISH
TOLERANCES UNLESS OTHERWISE SPECIFIED		NAME OR TITLE				
ANGULAR	±0.1°	DESK_TOP_SCANNER				
DECIMAL	±0.1	PROJECT NAME		MATERIAL	ASS'Y	
	D'TY/SET	MODEL NAME		END FINISH		
	1/1	FIRST USED IN ASSEMBLY		DO NOT SCALE DRAWING	DIMENSIONS ARE IN MM	
DESIGNED BY	CHECKED BY	CHECKED BY	APPROVED BY	SCALE	PART NO.	REV.
				1:2		0
08/11/03						